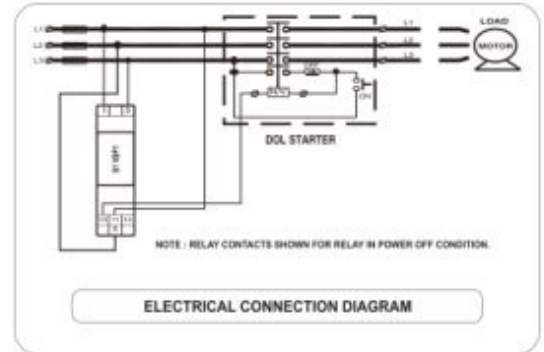


TECHNICAL SPECIFICATIONS FOR S1 VSP1



Features:
 Phase Failure, Unbalance,
 Phase Sequence,
 Auto Reset, Fixed Unbalance Setting
 1 CO output Relay

Applications:
 Agricultural Pump Starters
 3 Ph. Split AC machines
 Hoist Motor Control
 Valve Actuator Motor
 Machine Tools
 Injection Molding M/c



| SL.NO | PARAMETER | SPECIFICATION |
|-------|-----------------------------|--|
| 1 | System supply voltage | 380-415 VAC \pm 20%, (3Ph - 3 Wire) |
| 2 | Aux. supply | In - Built |
| 3 | Frequency | 48Hz to 63Hz |
| 4 | Output Contacts | 1 CO |
| 5 | Output Contact Ratings | 5 Amps. @ 250 V AC (RESISTIVE) |
| 6 | UB Setting | 40V AC \pm 6V AC (Fixed) |
| 7 | Resetting | Auto |
| 8 | Phase Failure | Applicable. |
| 9 | Phase Sequence Reversal | Yes |
| 10 | Reset Gap | 12V AC |
| 11 | Trip Time Delay | |
| | UB / SP | 3.5 sec \pm 1.5 sec |
| | Reverse Phase | Instant |
| 12 | Power On Delay | NA (can be provided) |
| 13 | Setting accuracy | |
| | UB setting | \pm 2 % |
| | On delay | \pm 5% |
| 14 | Indications | |
| | ON | Power ON (Green) |
| | UB / SP | Unbalance (Red) |
| 15 | Enclosure | |
| | Mounting | 17.5mm DIN Rail |
| | Type | S1 series |
| 16 | Dimensions (mm) (H x W x D) | 89 X 17.5 X 59 mm (approx.) |
| 17 | Weight | Approx . 135...gms. |
| 18 | Operating Conditions | Temperature -20 ° c to + 60 ° c Humidity upto 95% Rh. |

Our Other Products: Phase Failure Relays, Motor/Pump Protection relays, Monitoring Relays, Electronic Timers, Liquid Level Controllers, Power Line Transducers & Multifunction Meter, Automation Products, Alarm Annunciators, Soft Starters, and Products for Agri Sector.

Minilec India Pvt. Ltd.

S.No. 1073/1-2-3, At Post . Pirangoot, Tal . Mulshi, Dist . Pune (India), Pin . 412 111

Tel . (020) 67920100 / 22922354-57. Fax . (020) 22922134

E-Mail . mkt1@minilecgroup.com

