

# PHASE SEQUENCE RELAY - S1 VMR7



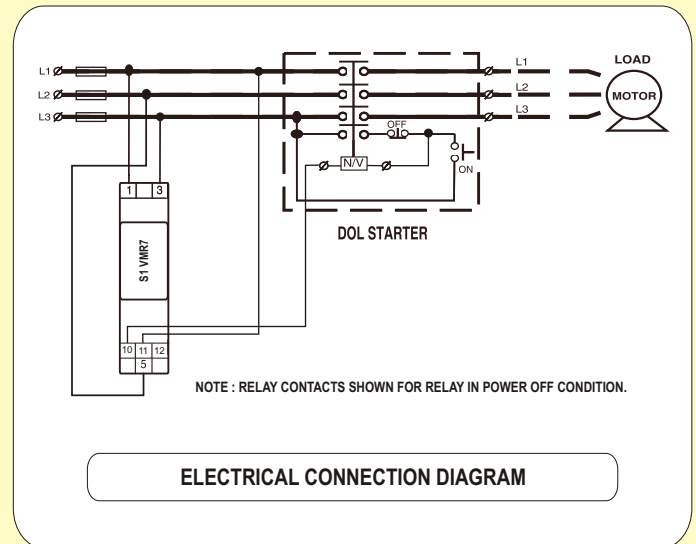
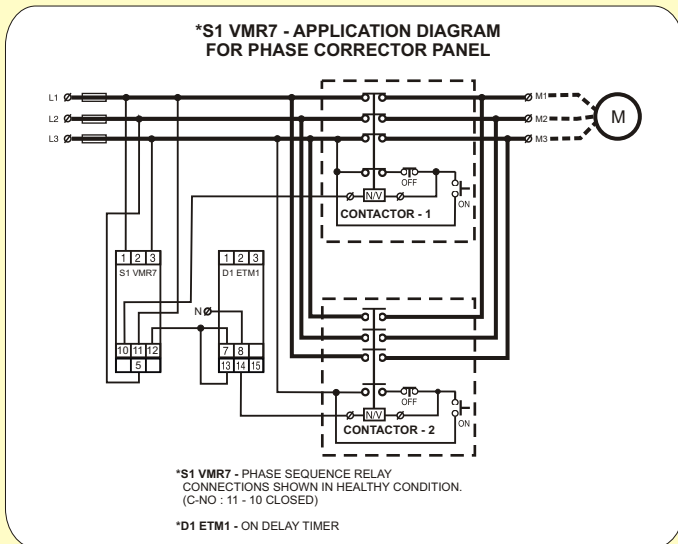
Minilec introduces the new S1 (Sleek) Series Phase Sequence Relay type: S1 VMR7 for monitoring incoming voltage supply from mains (Electricity Distribution Line). Suitable for Compressor Applications, Phase Sequence Correction Panel etc.

### Special Features :-

- ⚙️ Phase Sequence
- ⚙️ Auto Reset
- ⚙️ 1 CO Output Relay

### Technical Specifications :-

1.	<b>System supply voltage</b>	380-440 VAC ± 20 %. 3phase-3 wire
2.	<b>Aux. Supply</b>	In - Built from three phase
3.	<b>Frequency</b>	48 to 63 Hz.
4.	<b>Output contact rating</b>	5 Amp, 240VAC [resistive]
5.	<b>Trip time delay</b>	Instant
6.	<b>Indications LED1 (Green) LED2 (Red)</b>	ON - Power ON RLY, (Steady ON for RP)
7.	<b>Enclosure</b>	S1 SERIES-ABS
8.	<b>Dimensions ( mm )</b>	OVERALL = 90X 18.0 X 60 MOUNTING = Rail Mounting
9.	<b>Operating conditions</b>	TEMPERATURE = -5°C to +60°C HUMIDITY = Upto 95% RH
10.	<b>Weight (gms.)</b>	70
11.	<b>Mounting</b>	35mm Rail Mounting



**minilec**<sup>®</sup>

An ISO 9001:2008 certified company  
A trusted name since 1965

**Minilec (India) Pvt. Ltd.**

S. No. 1073/1-2-3, At Post: Pirangoot - 412 111, Tal: Mulshi, Dist: Pune (India)

Tel: (020) 22922162 / 22922354-57. Fax: (020) 22922134

Website: <http://www.minilecgroup.com> E-Mail: [mkt1@minilecgroup.com](mailto:mkt1@minilecgroup.com)

Yashprabha Group Companies →

