

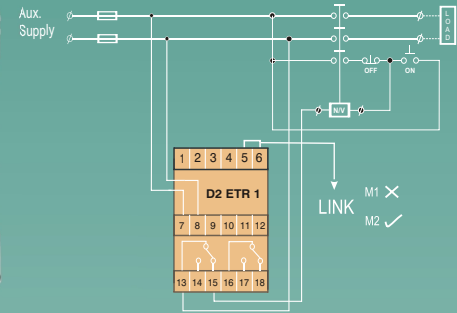
ELECTRONIC TIMERS

Suitable For Following Applications

Suitable for Industrial Washing Machines for Forward & Reverse Motion Control of Agitator Motor with selectable Pause time delay. Hence provided with separate output contacts for alternate ON delay cycle with intermediate pause time. Industrial Washing Machine Control panel.



D2 ETR1



FEATURES

**Microcontroller based,
Unequal cyclic and forwardreverse
functions, on time and
pause time selectable,
2x1CO output relays**

PARAMETER	D2 ETR1 CYCLIC & FORWARD- REVERSE TIMER	OUR OTHER TIMER
Supply Voltage Auxiliary	*24/110/240/415V AC, ± 20%, 12/24 V DC ±10%	ON DELAY TIMER
Output Contacts	1 CO + 1 CO	ON DELAY TIMER (MULTI VOLTAGE)
Time Range	On Time - 0.1 Sec.To 100 Hrs. Pause Time - 0.1 Sec.To 100 Hrs	ENGINE START RELAY
Operating Modes	Mode 1 Unequal Cyclic Operation Mode 2 Forward Reverse Cyclic Operation	STAR DELTA TIMER
Weight	200 gms (Approx.)	OFF DELAY TIMER
Dimensions (mm) Overall (L x W x D) Mounting (L x W)	76 x 56.5 x 117.5 67 x 46 □ / 35 mm rail Mounting	

Our Other Products:

**Phase Failure Relays, Motor/Pump Protection relays, Monitoring Relays, Electronic Timers,
Liquid Level Controllers, Power Line Transducers & Multifunction Meter,
Automation Products, Alarm Annunciators, Soft Starters,
AC Drives, PCB, and Products for Agri Sector.**

Minilec India Pvt. Ltd.

S.No. 1073/1-2-3, At Post : Pirangoot, Tal : Mulshi, Dist : Pune (India), Pin : 412 111
Tel : (020) 22922162 / 22922354-57. Fax : (020) 22922134 or (020) 25432349 / 25431573.
Website : <http://www.minilecgroup.com> E-Mail : mkt1@minilecgroup.com

