

S2ALT1 PUMP ALTERNATING RELAY

mimilec[®]

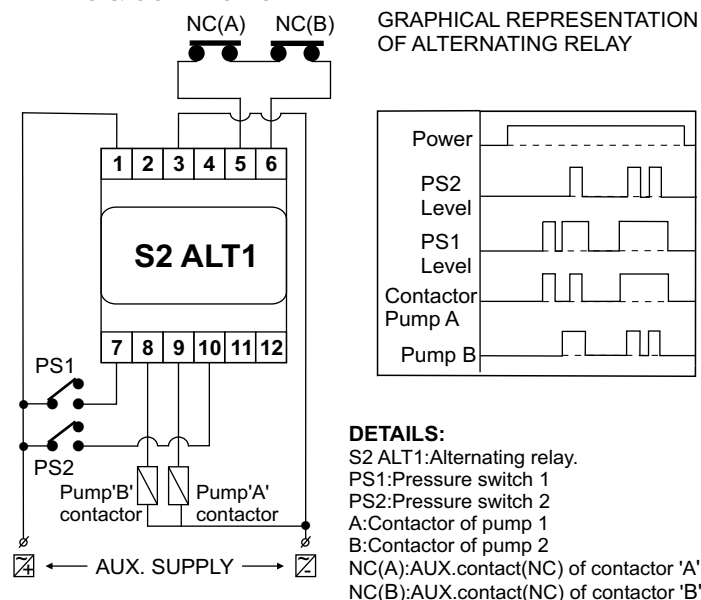


1. Aux. supply	: 24/110/115/220/230/240/380/415 VAC	
2. Frequency	: 50 Hz / 60 Hz ±3%	
3. Power consumption	: 15 VA max.	
4. Output relay contact	: 2 NO	
5. Output relay rating	: 5 Amp @ 240 VAC,resistive	
6. Indication	ON	: Power on (green)
	RLY	: Relay on (red)
7. Operation	: 30 operation/minute(max)	
8. Life expectancy	Mechanical Operation	: 1×10^6 @ 100% rating
	Electrical Operations	: 0.5×10^6 @ 100% rating
9. Enclosure	: S2 Series, ABS/ PC-ABS	
10.Dimension(Overall)	: 90X 35X60 mm	
11.Mounting	: 35mm Din Rail mounting.	
12.Weight	: 135 gms (approx)	
13.Operating condition	Temp	: -5°C to + 60°C.
	Humidity	: up 90% Rh.

Applications:-

5 Star Hotels
Private NRI Residential Complexes
Shopping Malls
Pump and Compressor Panels

WIRING & CONNECTION



NOTE:-

- 1) The coil voltage of both contactor & AUX. supply of S2 ALT1 should be same.
- 2) Caution AUX. supply will be passing through PS1 & PS2 on the water line(pipe).
- 3) For DC supply, connect +ve to 1 and -ve to 3.

MOUNTING ON DIN RAIL:-

