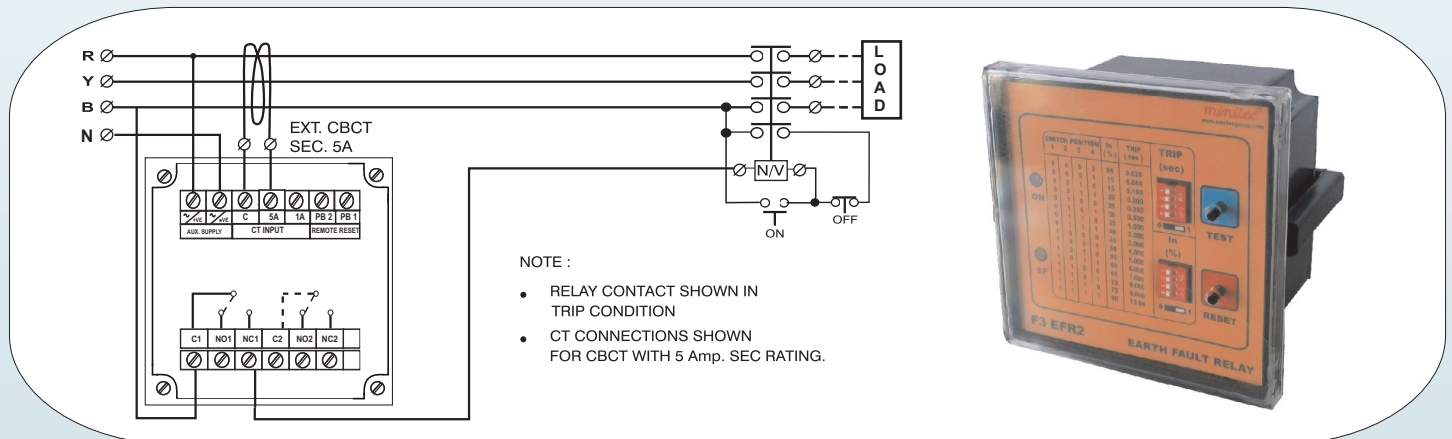


# EARTH FAULT RELAY

## F3 EFR2



### Application:

- Generator panels
- Synchronizing Control Panels
- AMF Panels, MCC panels
- Air Circuit Breakers (With shunt Trip Coil)
- MCCB (With Shunt Trip Coil)
- Motor Control Panels

### Features:

- Earth fault/Ground fault monitoring of 3 phase systems, Manual Reset,
- Input 1A or 5A through CBCT,
- Adjustable earth fault trip setting,
- Adjustable trip delay,
- 2 CO relay output

### Our Products Categories

- ▶ Phase Failure Relays
- ▶ Monitoring Relays
- ▶ Electronic Timers
- ▶ Motor Pump Protection Relay
- ▶ Liquid Level Controllers
- ▶ Power Line Transducers & Multifunction Meter
- ▶ Automation Products
- ▶ Alarm Annunciators
- ▶ Soft Starters
- ▶ Variable Frequency AC Drive
- ▶ Products for Agri Sector

Auxiliary supply	24 / 30VDC $\pm 10\%$ 90-270V AC/DC 415V AC, $\pm 20\%$
Rated Current Input (In)	1A / 5A (CBCT secondary I/P, selection via terminals)
Frequency	50 / 60Hz, $\pm 3\%$
Power consumption	3VA max.
Output relay contact	2CO / (1CO)
Out put contact rating	5 Amp / 240V AC (Resistive)
Life expectancy	$0.5 \times 10^8$ operations at 100% rating
EF trip setting	5% to 80% of rated current input (variable) Selected by 4-Way Dip S/w (in steps of 5% - 16 combinations)
Set Accuracy	For Current Input (In) - $\pm 5\%$ of fullscale For trip delay - $\pm 10\%$ [+25ms] of set value
Trip time delay	25 msec. to 10 sec Selected by 4-Way Dip s/w in 16 steps
Test	Manual test - PB on front
Reset	Manual Reset - PB on front Remote Reset - External through back terminal
Indication	ON (green) - Power ON EF ( red ) - Earth Fault Trip
Current Sensor	Neutral CT / CBCT / summation CT with secondary current rating of 1A or 5A CBCT ID - 40mm, 65mm, 100mm, 150mm, 200mm, 250mm, 300mm
Operating conditions	Temperature - $-5^{\circ}\text{C}$ to $60^{\circ}\text{C}$ Humidity - upto 95% R/H.
Enclosure	F3 ENCLOSURE (ABS)
Dimensions (mm)	Overall - 96 X 96 X 80mm Cut out - 92 X 92 mm
Weight (approx)	550gms



# Minilec (India) Pvt. Ltd.

S.No. 1073/1-2-3, At Post : Pirangoot, Tal : Mulshi, Dist : Pune (India), Pin : 412 111  
Tel : (020) 22922354-57, 67920100. Fax : (020) 22922134 or (020) 25432349 / 25431573.  
Website : <http://www.minilecgroup.com> E-Mail : [mkt1@minilecgroup.com](mailto:mkt1@minilecgroup.com)

