

Motor / Pump Protection Relay



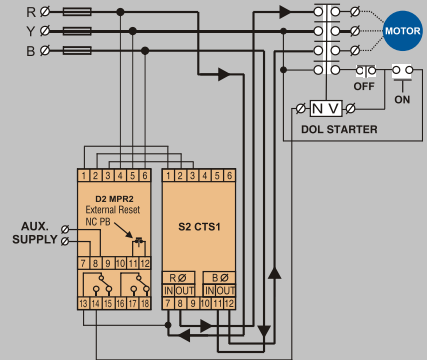
Features:

- Sensing both voltage and current signals
- Phase Failure
- Unbalance
 - Phase sequence
 - Under over voltage
 - Overloading and dry running
- Manual Reset
 - Delayed auto reset
- Fixed trip settings
- Fixed overload characteristics
- 2CO output relay

Applications:

- Air -Conditioning & Refrigeration Machines
- Screw Compressors
- Lift , Elevators, Hoist & Cranes
- Crusher Motors , Mining M/c
- End Users

D2 MPR2



System Voltage: System Auxiliary	380-440V AC \pm 20%, 48-63 Hz 220-240 \pm 20% VAC
Output Relay Contact	2 CO
Input	From S2 CTS1
Trip Setting Phase to Phase Unbalance Under Current (Dry Running) Overload UV/OV	50% of Motor Current (Fixed) 50% of set current (Fixed) As per inverse time characteristics UV = -20% (Fixed) OV = +20% (Fixed)
Trip Time Delay On phase failure For overloading UV/OV RP	4 Sec \pm 1% As per Inverse Time Characteristics 2 Sec. (Fixed) For UV/OV - 4 Sec \pm 1 Sec for RP - Instant
Resetting	Delayed Auto
Approx Weight	400 gms
Dimensions (mm) Overall (L x W x D) Mounting (L x W)	76 x 56.5 x 117.5 67 x 46 \square / 35 mm Rail Mounting

Our Other Products: Phase Failure Relays, Monitoring Relays, Electronic Timers, Liquid Level Controllers, Power Line Transducers & Multifunction Meter, Automation Products, Alarm Annunciators, Soft Starters, AC Drives, PCB and Products for Agri Sector



Minilec India Pvt. Ltd.

S.No. 1073/1-2-3, At Post : Pirangoot, Tal : Mulshi, Dist : Pune (India), Pin : 412
Tel : (020) 22922162 / 22922354-57. Fax : (020) 22922134 or (020) 25432349 / 25431573.
Website : <http://www.minilecgroup.com> E-Mail : mkt1@minilecgroup.com

